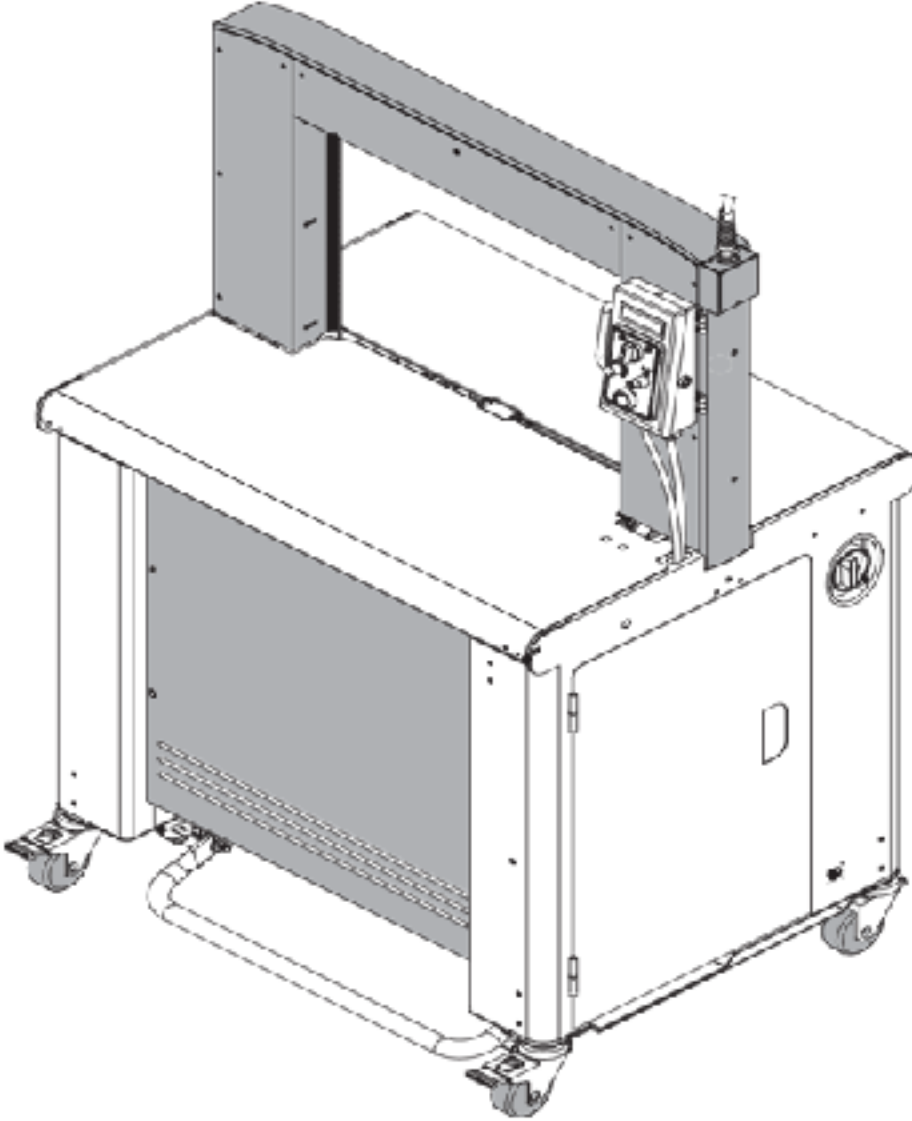


Transpak Tp702 Tam Otomatik ember Makinası

Kurulum

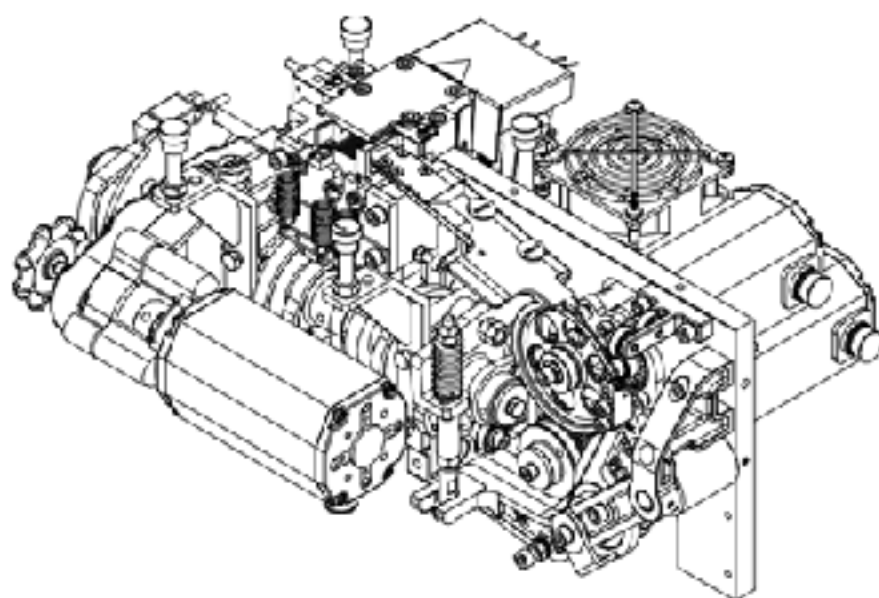
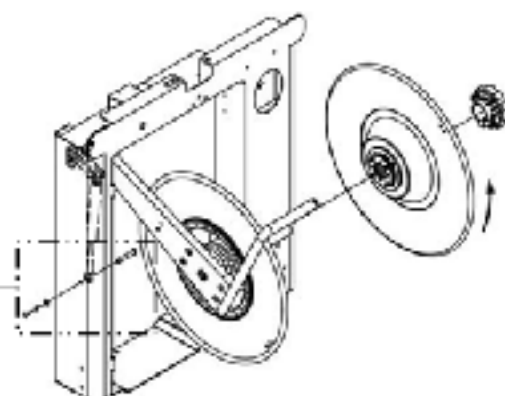
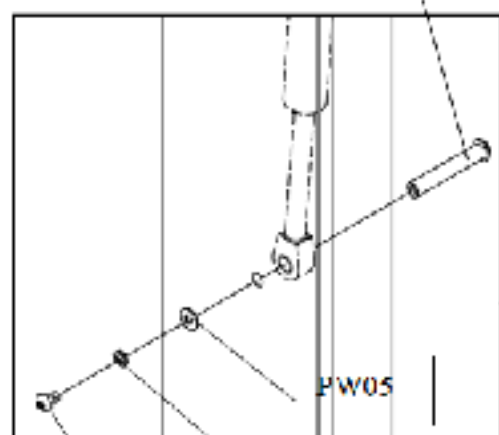
&

Yedek Para



İthal ember Takmak ve Kasnađı Kurmak İin aŐađıdaki Őekildeki Gibi Vidayı Takınız

M7-4-101200-THS0508N
+SW05+PW05



RE F. NO	PART NO.	DESCRIPTION	Q'T Y	REMARKS
	M7-1-100022	Cam Group (For 5-6mm)	1	
	M7-1-100040	Cam Group (For 9mm)	1	
1	M7-1-101100	Strapping Head Frame	1	
2	M7-1-101200	Guide	2	
3	M7-1-101300	Ejector Plate (L)	1	
4	M7-1-101400	Ejector Plate (R)	1	
5	M7-1-101500	Shaft	1	
6	M7-1-101600	Collar	1	
7	M7-1-101700	Cover	1	
8	M7-1-101800	Sensor Base	1	
9	M7-1-101900	Coupling	1	
10	M7-1-102000	Spring	1	
21	M7-1-110001	Gear Box and Cam Ass'y	1	SEE PAGE C7
22	M7-1-120000	M1 Motor Ass'y	1	SEE PAGE C9
23	M7-1-1300	Slide Table Frame Ass'y (For	1	SEE PAGE C11
	02	5-6mm) Slide Table Frame Ass'y	1	
24	M7-1-1300	(For 9mm)	1	SEE PAGE C13
	30	Heater Arm Ass'y		
	M7-1-140000			
25	M7-1-150000	Exhaust Fan Ass'y	1	SEE PAGE C15
26	T7-1-16000	Block Ass'y	1	SEE PAGE C17
29	MV-6-20220	Proximity Sensor (X14, X15, X16)(SQ1,	3	SEE PAGE C153
30	H42-1227	SQ2, SQ3)	3	
		Washer		
31	TA-089	Spring Hook	1	
32	T7-1-10330	Bumper	4	
33	M7-1-102500	Bumper Bracket	2	
34	T7-1-64130	Return Spring	1	
36	LA-40002	Label	1	
38	MB1515	Metal Bushing, 1515	1	
41	SP0514	Spring Pin, 5×14	2	
43	HBS0308N	HBS, M3×8 (N)	4	

44	HBS0516N	HBS, M5×16 (N)	4
45	HBS0525HN	HBS, M5×25 (H)(N)	2
46	HBS0640HN	HBS, M6×40 (H)(N)	3
47	HBS0645HN	HBS, M6×45 (H)(N)	4
48	HBS0620N	HBS, M6×20 (N)	2
49	HBS0840HN	HBS, M8×40 (H)(N)	2
50	HBS0865HN	HBS, M8×65 (H)(N)	2
51	HSS0506GN	HSS, M5×6 (G)(N)	2
52	HSS0610GN	HSS, M6×10 (G)(N)	2

RE F. NO	PART NO.	DESCRIPTION	Q'T Y	REMARKS
55	HN08	HN, M8	4	
58	THS0508N	THS, M5×8 (N)	2	
61	SW03	SW, M3	10	
62	SW05	SW, M3 (Option) SW, M5	12 6	
63	SW06	SW, M6	13	
64	SW08	SW, M8	4	
65	PW03	PW, M3 (Option)	2	
66	PW05	PW, M5	2	
67	PW06C	PW, M6 (C)	4	
71	HB0620	HB, M6×20	4	

74

PMS0320

PMS, M3×20

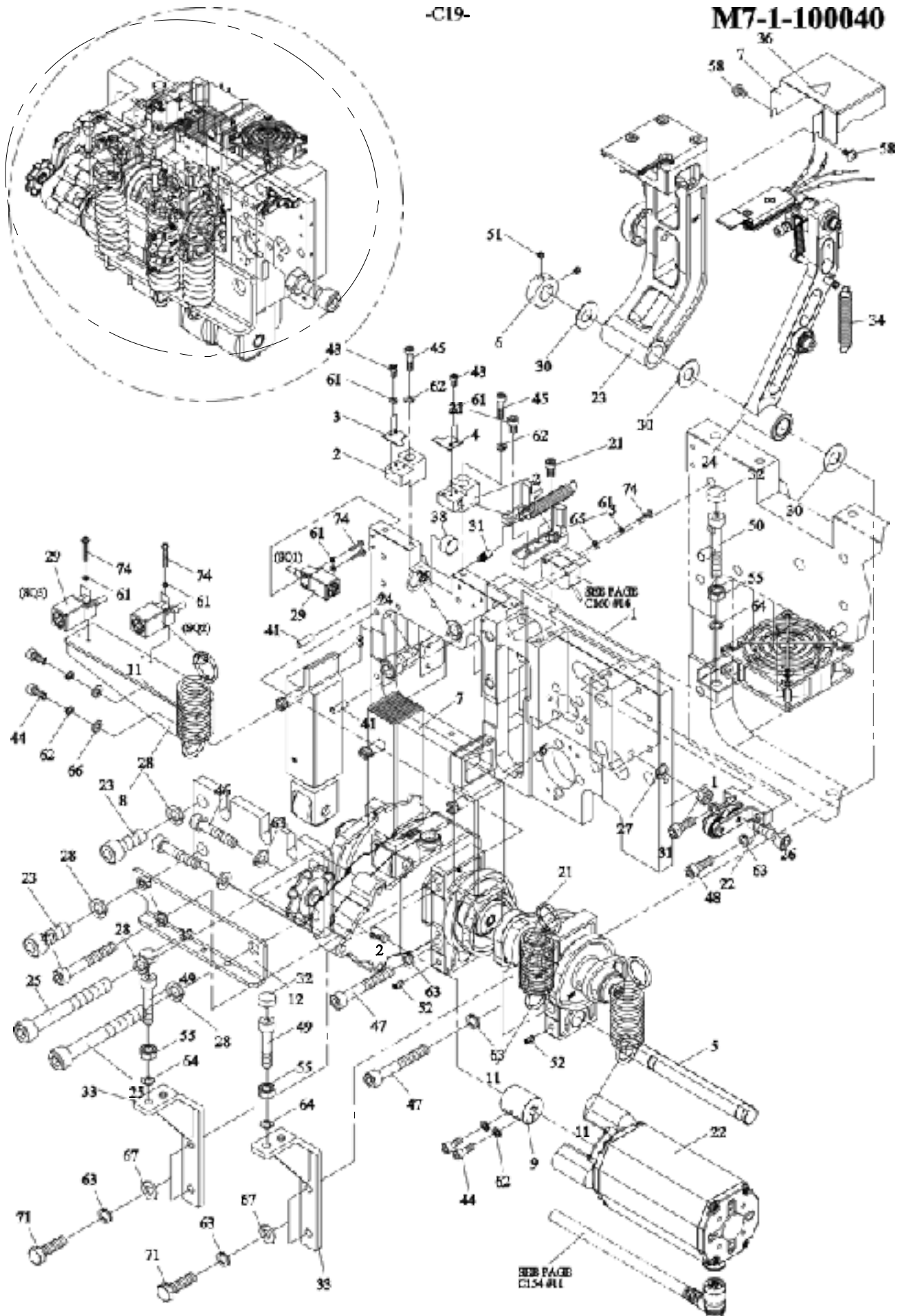
PMS, M3×20 (Option)

6

8

BAR GUIDE GROUP

M7-1-200000



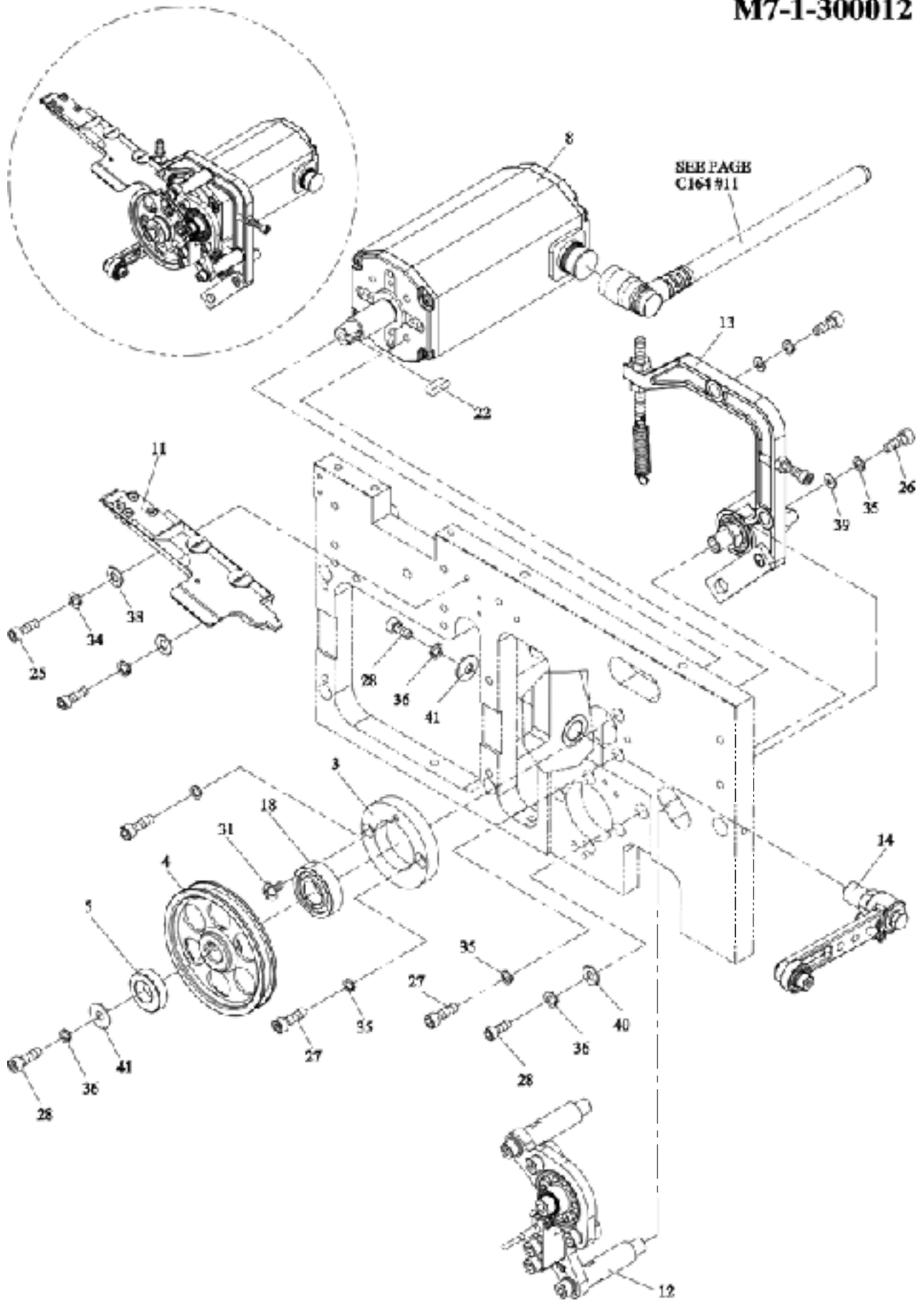
RE F. NO	PART NO.	DESCRIPTION	Q'T Y	REMARKS
1	M7-1-201100	Bar Guide	1	
2	M7-1-201200	Bar Guide	1	
3	M7-1-201200S	Lid	1	
4	M7-1-201300	Bar Guide Lid (Stainless Steel Model)	1	
4	M7-1-201300E	(Option) Cutter Holder	1	
	N	Cutter Holder (Stainless Steel Model)(Option)	1	
	M7-1-201400	Strap Guide	1	
	M7-1-201400E	Strap Guide (Stainless Steel Model)(Option)	1	
6	N		1	SEE PAGE C21
7		Front Bar Ass'y	1	SEE PAGE C23
	M7-1-21000	Front Bar Ass'y (Stainless Steel Model)	1	
8	1	(Option) Press Bar Ass'y	1	SEE PAGE C25
	M7-1-21000	Press Bar Ass'y (Stainless Steel Model)	1	
	1S	(Option) Rear Bar Ass'y	1	
11	M7-1-22000	Rear Bar Ass'y (Stainless Steel Model)		
12	0	(Option)	3	
	M7-1-22000	Return	1	
	0S	Spring		
	M7-1-23000	Spring		
	0	Hook	3	
21	M7-1-23000		1	
22	0S		2	
23	TA-071		2	
24	T7-1-10180	HBS, M3×8 (N)	2	
		HBS, M5×20 (N)		
25		HBS, M6×16 (N)	1	
27		HBS, M6×20 (N)		
28	HBS0308N	HBS, M6×50 (H)		
	HBS0520N	(N)		
	HBS0616N			
	HBS0620N	SW,		
	HBS0650H	M5		
	N	SW,		
		M6		
	SW			
	05			
	SW			
	06			

REVISION NO.	PART NO.	DESCRIPTION	QUANTITY	REMARKS
3	M7-1-30002	Feed Group (For 5-6mm)	1	
	M7-1-30002	Feed Group (For 9mm)	1	
	M7-1-30130	Bearing Housing	1	
4	M7-1-30140	Guide Wheel (For 5-6mm)	1	
	M7-1-30150	Guide Wheel (For 9mm)	1	
5	M7-1-30140	Guide Wheel (For 5-6mm)	1	
	M7-1-30150	Guide Wheel (For 9mm)	1	
8	M7-1-30010	Feeding Motor (M2) Set	1	
	M7-1-31001	Upper Guide Ass'y (For 5-6mm)	1	SEE PAGE C29
1	M7-1-31001S	Upper Guide Ass'y (Stainless Steel Model) (For 5-6mm) (Option)	1	
		M7-1-31001	Upper Guide Ass'y (For 9mm)	

1	M7-1-31001	Upper Guide Ass'y (Stainless Steel Model) (For 9mm)(Option)	1	SEE
2	1 - 3	Assistent Roller Ass'y (For 5-6mm)	1	PA
1	200	Assistent Roller Ass'y (For 9mm)	1	GE
3	0 1	Feeding Arm Ass'y	1	C31
	M7-1-34000	Retracting Arm Ass'y	1	SEE
	0			PA
				GE
				C33
1	BR6002ZZ	Bearing, 6002ZZ	1	SEE
8				PA
2	KYA040415	Key, 4×4×15	1	GE
2				C35
2	HBS0412N	HBS, M4×12 (N)	2	
5				
2	HBS0512N	HBS, M5×12 (N)	2	
6				
2	HBS0516N	HBS, M5×16 (N)	6	
7				
2	HBS0612N	HBS, M6×12 (N)	3	
8				
3	TMS0508N	TMS, M5×8 (N)	1	
1				
3	SW04	SW, M4	2	
4				
3	SW05	SW, M5	8	
5				
3	SW06	SW, M6	3	
6				
3	PW04	PW, M4	2	
8				
3	PW05	PW, M5	2	
9				
4	PW06A	PW, M6 (A)	1	
0				

4	PW06	PW, M6 (C)	2
1	C		

M7-1-300012



**F
E
E
D
G
R
O
U
P**