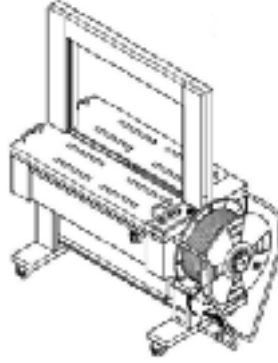




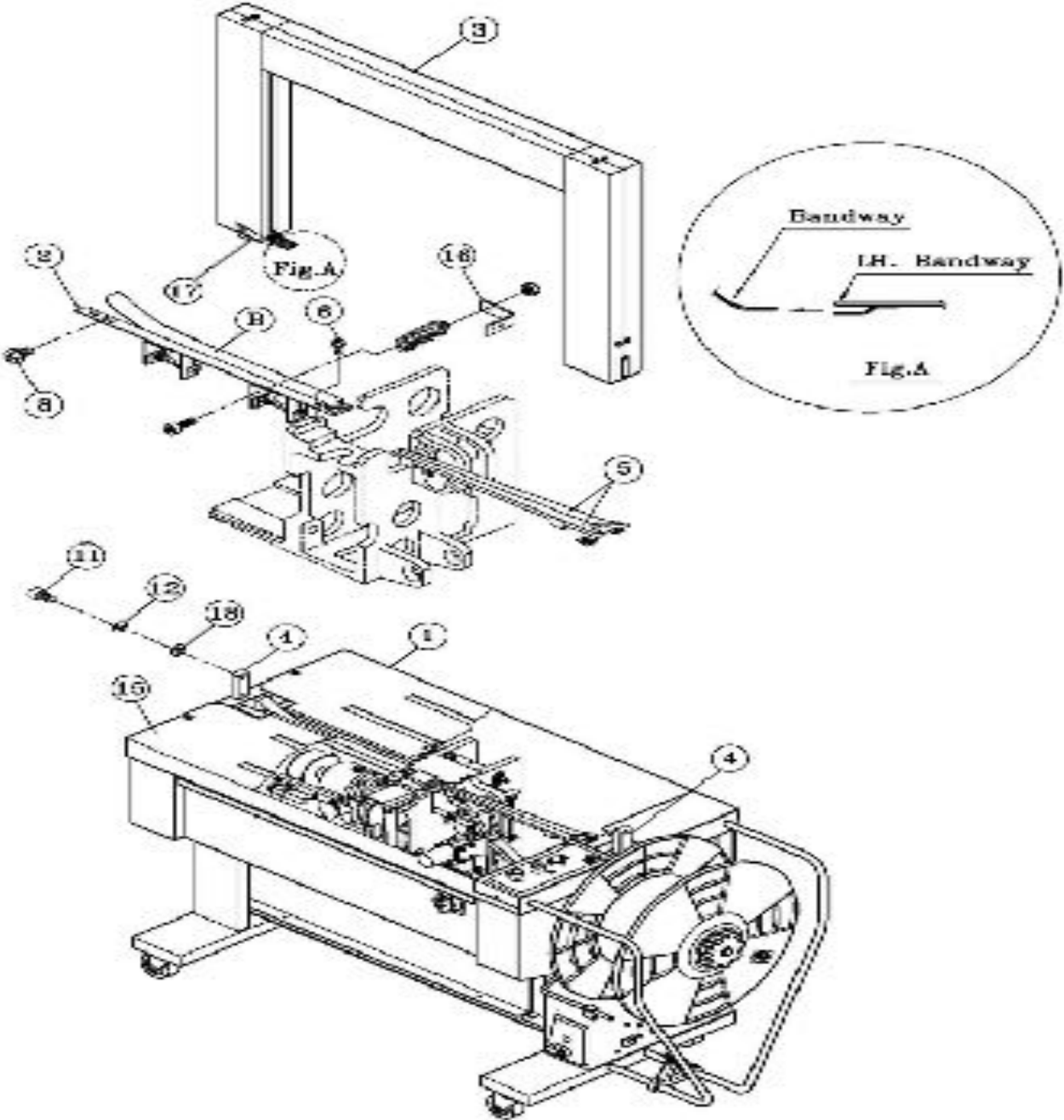
AUTOMATIC POLYPROPYLENE  
**STRAPPING MACHINE**

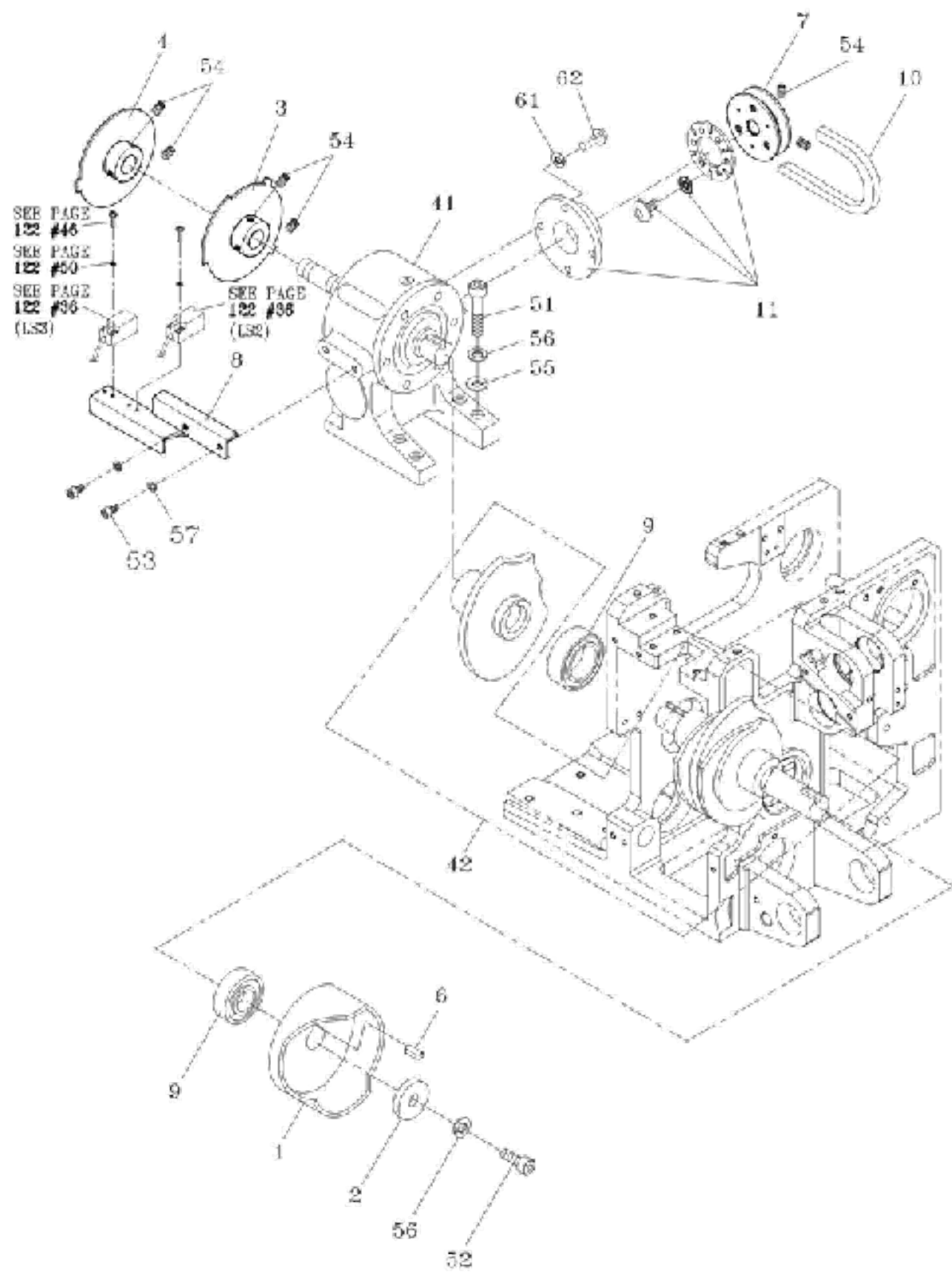
TP-6000

**Kurulum Şeması**  
**&**  
**Yedek Parça Listesi**



(2) Transpak Tp 6000 Kurulum Şeması





**1-1****CAM GROUP****T6-1-10003**

---

| REF<br>NO. | PART NO.   | DESCRIPTION            | Q'TY | REMARKS       |
|------------|------------|------------------------|------|---------------|
| 1          | T6-1-10110 | Tension Cam            | 1    |               |
| 2          | T6-1-10120 | Cam Shaft End Plate    | 1    |               |
| 3          | T6-1-10131 | Limit Switch Cam (LS2) | 1    |               |
| 4          | T6-1-10142 | Limit Switch Cam (LS3) | 1    |               |
| 6          | KYA070720  | Key, 7×7×20            | 2    |               |
| 7          | T6-1-10171 | Gear Box Pulley        | 1    |               |
| 8          | T6-1-10181 | Limit Switch Bracket   | 1    |               |
| 9          | BR6205ZZ   | Bearing, 6205ZZ        | 2    |               |
| 10         | T6-1-10200 | V-Belt (A26)           | 1    |               |
| 11         | T6-6-10180 | Magnet Brake           | 1    |               |
| 41         | T6-1-11000 | Gear Box               | 1    |               |
| 42         | T6-1-12000 | Cam Ass'y              | 1    | SEE PAGE<br>6 |
| 51         | HBS0845H   | HBS, M8×45 (H)         | 4    |               |
| 52         | HBS0825    | HBS, M8×25             | 1    |               |

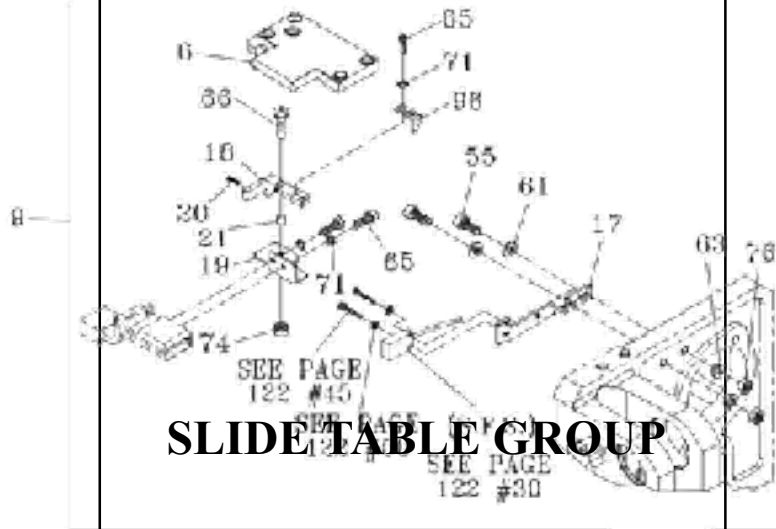
|    |          |                |   |
|----|----------|----------------|---|
| 53 | HBS0612  | HBS, M6×12     | 2 |
| 54 | HSS0610G | HSS, M6×10 (G) | 6 |
| 55 | PW08B    | PW, M8 (B)     | 4 |
| 56 | SW08     | SW, M8         | 5 |
| 57 | SW06     | SW, M6         | 2 |

|    |         |           |   |
|----|---------|-----------|---|
| 61 | SW04    | SW, M4    | 4 |
| 62 | PMS0408 | PMS, M4×8 | 4 |

**1-2**

**SLIDE TABLE GROUP**

**T6-1-20020**



**T6-1-20020**

**1-2**

**SLIDE TABLE GROUP**

REF  
NO.

| PART NO.      | DESCRIPTION                               | QTY | REMARKS                |
|---------------|---|-----|------------------------|
| T6-1-20020    | Slide Table Group                         | 1   |                        |
| T6-1-20020S   | Slide Table Group (Stainless Steel Model) | 1   |                        |
| 1 T6-1-20110  | Slide Table Frame                         | 1   |                        |
| 2 T6-1-20120  | Slide Table Frame Shaft                   | 1   | 85                     |
| 4 T6-1-20141  | Slide Table Back Adjuster                 | 1   | 83                     |
| 5 T6-1-20150  | Slide Table Stopper                       | 1   |                        |
| 6 T6-1-20163  | Slide Table                               | 1   | SEE PAGE 122 #30 (L56) |
| T6-1-20163S   | Slide Table (Stainless Steel Model)       | 1   |                        |
| 7 T6-1-20170  | Strap Guide                               | 1   |                        |
| 8 T6-1-20180  | Flap Connecting Spring Bracket            | 1   | SEE PAGE 122 #50       |
| 9 T6-1-20198  | S.F.S. Ass'y                              | 1   | SEE PAGE 122 #47       |
| T6-1-20198S   | S.F.S. Ass'y (Stainless Steel Model)      | 1   |                        |
| 10 T6-1-30170 | Press Arm End Plate                       | 1   |                        |
| 11 T6-1-20220 | Slide Table Spring Hook                   | 1   |                        |
| 12 T6-1-20230 | Slide Table Tension Spring                | 1   |                        |
| 14 BR6304ZZ   | Bearing, 6304ZZ                           | 2   |                        |
| 15 T6-1-20250 | Cam Follower, KR22×LL                     | 1   |                        |
| 16 ER15       | Snap Ring, E-15                           | 2   |                        |

|    |            |                                    |   |             |
|----|------------|------------------------------------|---|-------------|
| 17 | T6-1-20311 | Support                            | 1 |             |
| 18 | T6-1-20323 | Lever                              | 1 |             |
| 19 | T6-1-20340 | Bracket                            | 1 |             |
| 20 | T6-1-20351 | Spring                             | 1 |             |
| 21 | T6-1-20450 | Bushing                            | 1 |             |
| 27 | T6-1-20372 | Spring                             | 1 |             |
| 41 | T6-1-21000 | Strap Guide Arm Ass'y              | 1 | SEE PAGE 10 |
| 50 | HBS0630    | HBS, M6×30                         | 1 |             |
| 51 | HBS1025H   | HBS, M10×25 (H)                    | 1 |             |
| 52 | HBS0830    | HBS, M8×30                         | 1 |             |
| 53 | HBS0650H   | HBS, M6×50 (H)                     | 2 |             |
| 54 | HBS0620N   | HBS, M6×20 (N)                     | 4 |             |
|    | HBS0620S   | HBS, M6×20 (Stainless Steel Model) | 4 |             |
| 55 | HBS0625    | HBS, M6×25                         | 3 |             |
| 56 | HSS0810G   | HSS, M8×10 (G)                     | 2 |             |
| 57 | TMS0610    | TMS, M6×10                         | 2 |             |
| 60 | PW08A      | PW, M8 (A)                         | 1 |             |
| 61 | PW06A      | PW, M6 (A)                         | 4 |             |

**1-2****SLIDE TABLE GROUP****T6-1-20020**

| REF. NO. | PART NO.    | DESCRIPTION                              | Q'TY | REMARKS |
|----------|-------------|--|------|---------|
| 63       | SW06        | SW, M6                                   | 7    |         |
| 64       | HBS0616     | HBS, M6×16                               | 1    |         |
| 65       | HBS0408     | HBS, M4×8                                | 6    |         |
| 66       | TMS0412     | TMS, M4×12                               | 2    |         |
| 67       | HN08        | HN, M8                                   | 1    |         |
| 71       | SW04        | SW, M4                                   | 9    |         |
| 72       | SW04S       | SW, M4 (Stainless Steel Model)           | 1    |         |
| 74       | NTE04       | NTE, M4                                  | 1    |         |
| 76       | HN06        | HN, M6                                   | 4    |         |
| 77       | SW03        | SW, M3                                   | 2    |         |
| 80       | TA-071      | Return Spring                            | 1    |         |
| 81       | T6-1-20910  | Sensor Plate                             | 1    |         |
| 82       | T6-1-20920  | Loop-eject Lever                         | 1    |         |
| 83       | T6-1-20930  | Loop-eject Plate                         | 1    |         |
|          | T6-1-20930S | Loop-eject Plate (Stainless Steel Model) | 1    |         |
| 84       | HN03        | HN, M3                                   | 2    |         |
| 85       | HN04        | HN, M4                                   | 3    |         |
| 86       | HN04S       | HN, M4 (Stainless Steel Model)           | 1    |         |
| 87       | PMS0416     | PMS, M4×16                               | 1    |         |
| 88       | PMS0412     | PMS, M4×12                               | 1    |         |

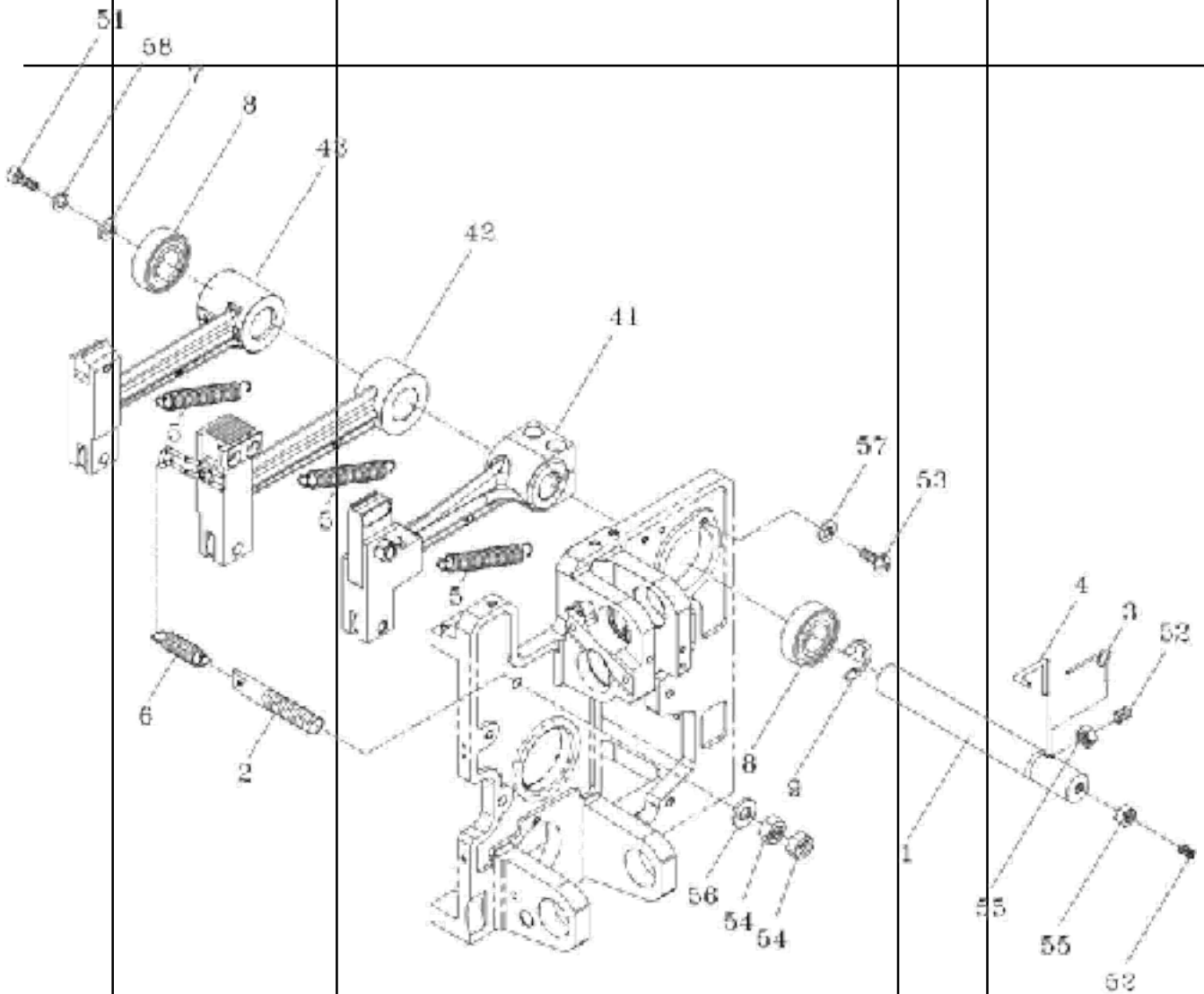


**1-3**

**PRESS GROUP**

**T6-1-30000**

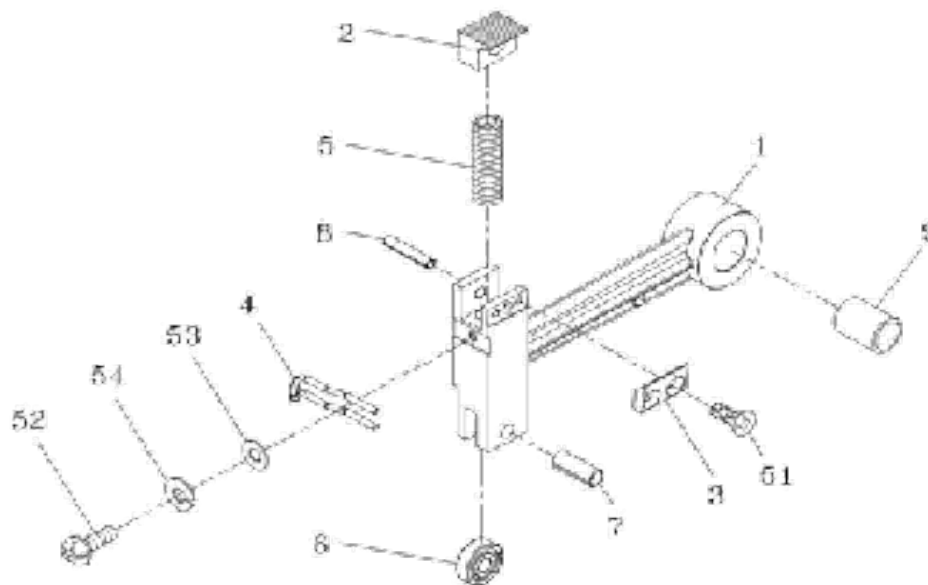
|    |            |                                   |   |
|----|------------|-----------------------------------|---|
| 95 | FMS0508    | FMS, M5×8                         | 2 |
|    | FMS0508S   | FMS, M5×8 (Stainless Steel Model) | 2 |
| 96 | T6-1-20840 | Detector Plate                    | 1 |
| 97 | T6-2-10130 | LH Bandway Stop Spring            | 1 |



**1-3****PRESS GROUP****T6-1-30000**

| REF. NO. | PART NO.    | DESCRIPTION                                    | Q'TY | REMARKS        |
|----------|-------------|--|------|----------------|
|          | T6-1-30000  | Press Group                                    | 1    |                |
|          | T6-1-30000S | Press Group (Stainless Steel Model)            | 1    |                |
| 1        | T6-1-30110  | Press Arm Shaft                                | 1    |                |
| 2        | T6-1-30120  | Cutter Tension Spring Hook                     | 1    |                |
| 3        | T6-1-30130  | Upper Roller Spring                            | 1    |                |
| 4        | T6-1-30140  | Upper Shaft Spring Adjuster                    | 1    |                |
| 5        | T6-1-30150  | Press Tension Spring                           | 3    |                |
| 6        | T6-1-30160  | Cutter Tension Spring                          | 1    |                |
| 7        | T6-1-30170  | Press Arm End Plate                            | 1    |                |
| 8        | BR6304ZZ    | Bearing, 6304ZZ                                | 2    |                |
| 9        | ER15        | Snap Ring, E-15                                | 1    |                |
| 41       | T6-1-31000  | RH, Block Arm Ass'y                            | 1    | SEE PAGE<br>13 |
|          | T6-1-31000S | RH, Block Arm Ass'y (Stainless Steel Model)    | 1    | SEE PAGE<br>13 |
| 42       | T6-1-32000  | Center Block Arm Ass'y                         | 1    | SEE PAGE<br>14 |
|          | T6-1-32000S | Center Block Arm Ass'y (Stainless Steel Model) | 1    | SEE PAGE<br>14 |
| 43       | T6-1-33000  | LH, Block Arm Ass'y                            | 1    | SEE PAGE<br>15 |

|    |          |                |   |
|----|----------|----------------|---|
| 51 | HBS0620  | HBS, M6×20     | 1 |
| 52 | HSS0615G | HSS, M6×15 (G) | 2 |
| 53 | TMS0610  | TMS, M6×10     | 2 |
| 54 | HN08     | HN, M8         | 2 |
| 55 | HN06     | HN, M6         | 2 |
| 56 | PW08A    | PW, M8 (A)     | 1 |
| 57 | PW06B    | PW, M6 (B)     | 2 |
| 58 | SW06     | SW, M6         | 1 |



| REF. NO. | PART NO.    | DESCRIPTION                                       | Q'TY | REMARKS |
|----------|-------------|---|------|---------|
|          | T6-1-32000  | Center Block Arm Ass'y                            | 1    |         |
|          | T6-1-32000S | Center Block Arm Ass'y<br>(Stainless Steel Model) | 1    |         |
| 1        | T6-1-32110  | Center Block Arm                                  | 1    |         |
| 2        | T6-1-32120  | Universal Press                                   | 1    |         |
|          | T6-1-32120S | Universal Press (Stainless Steel Model)           | 1    |         |
| 3        | T6-1-32130  | Lower Cutter                                      | 1    |         |
|          | T6-1-32130S | Lower Cutter (Stainless Steel Model)              | 1    |         |
| 4        | T6-1-32140  | Cutter Spring Hook                                | 1    |         |
| 5        | T6-1-32150  | LH & Center Block Spring                          | 1    |         |
| 6        | BR628ZZ     | Bearing, 628ZZ                                    | 1    |         |
| 7        | SP0820      | Spring Pin, 8x20                                  | 1    |         |
| 8        | SP0622      | Spring Pin, 6x22                                  | 1    |         |
| 9        | MB2025      | Metal Bushing, 2025                               | 1    |         |
| 51       | FMS0510S    | FMS, M5x10 (SUS)                                  | 2    |         |
| 52       | PMS0610     | PMS, M6x10  | 1    |         |
| 53       | PW06A       | PW, M6 (A)  | 1    |         |
| 54       | SW06        | SW, M6  | 1    |         |