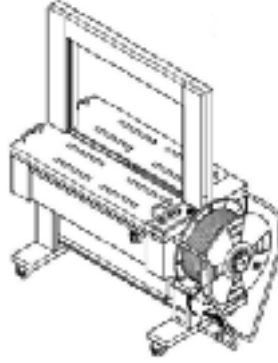




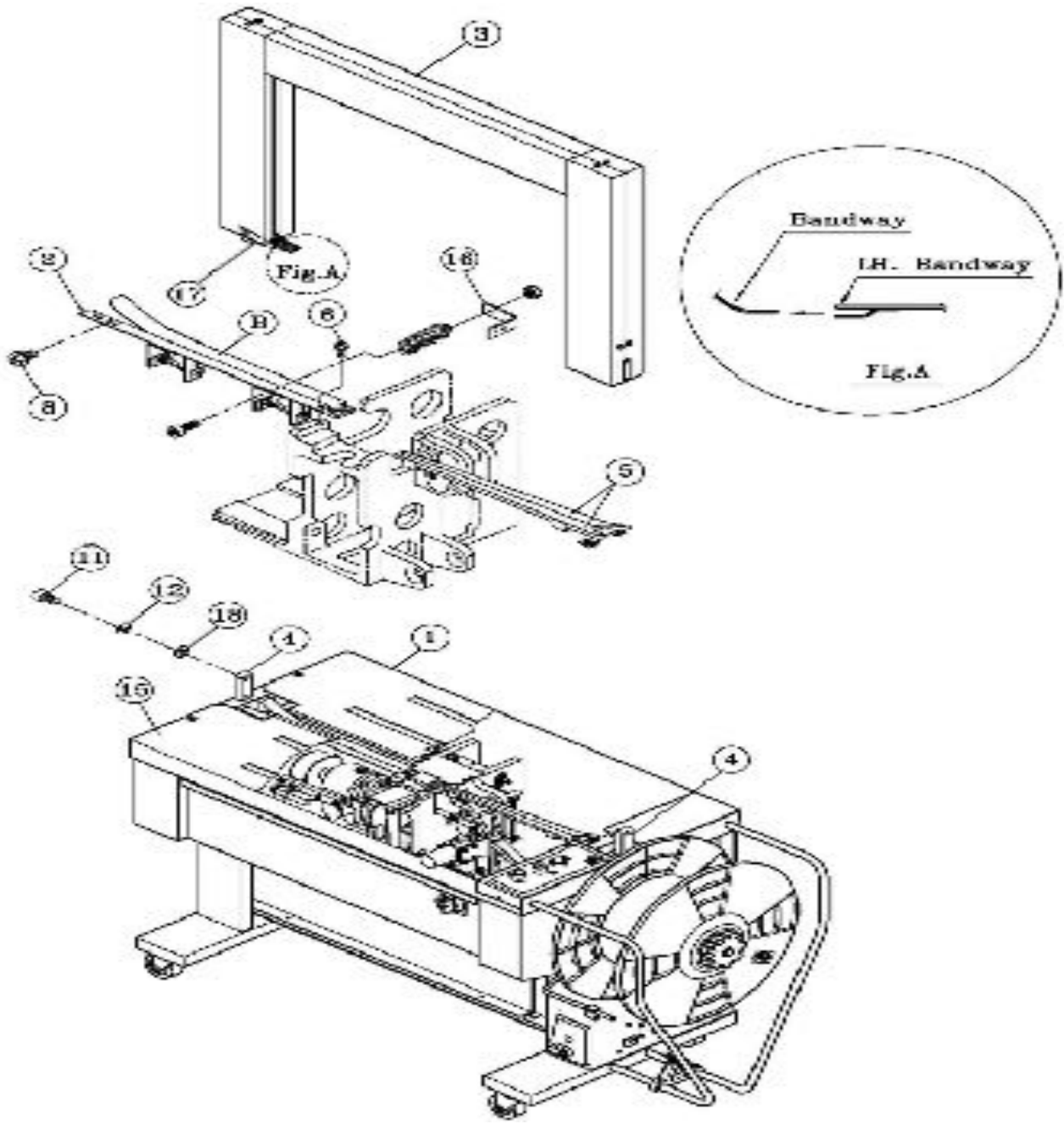
AUTOMATIC POLYPROPYLENE
STRAPPING MACHINE

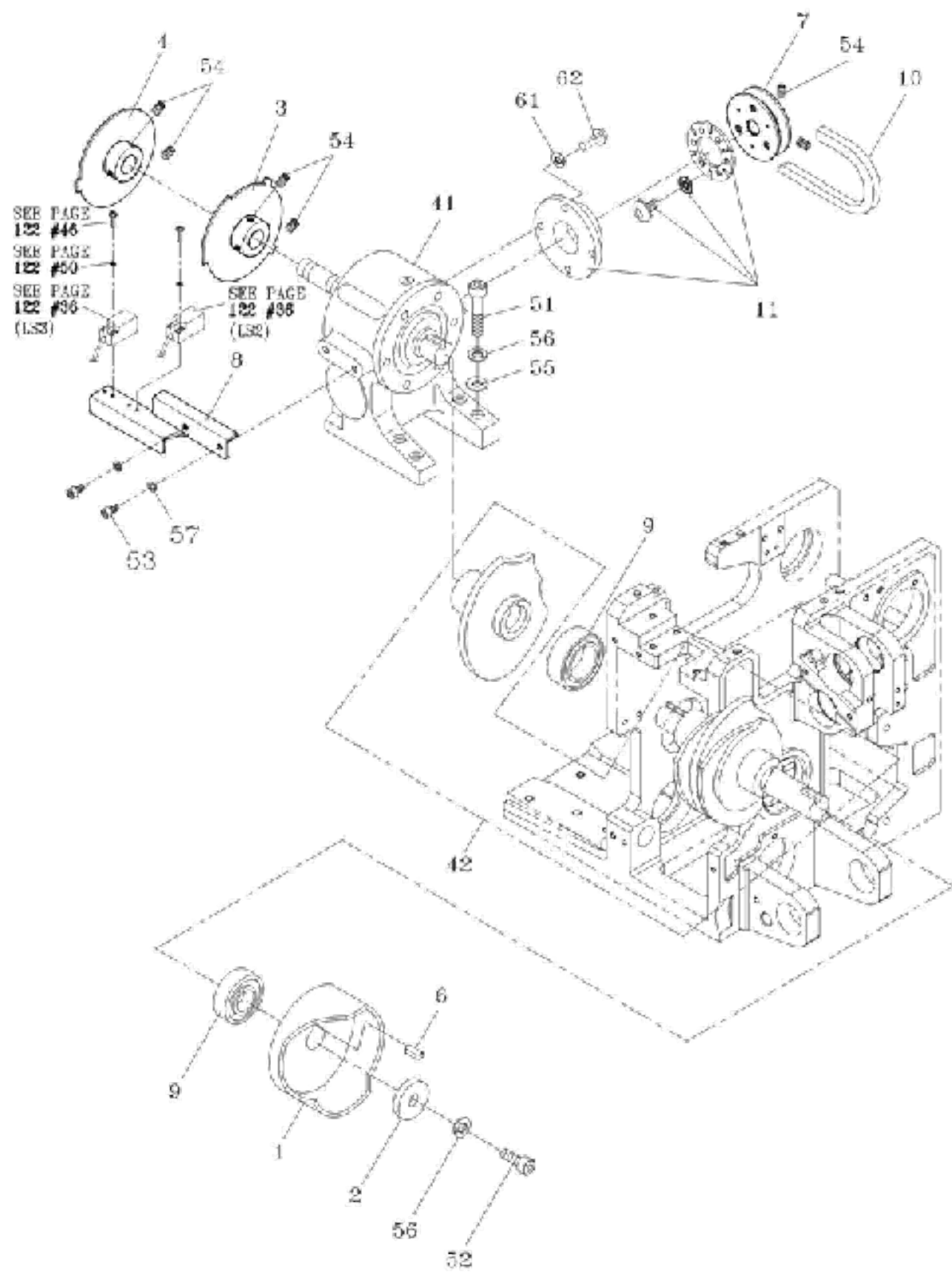
TP-6000

Kurulum Şeması
&
Yedek Parça Listesi



(2) Transpak Tp 6000 Kurulum Şeması





1-1**CAM GROUP****T6-1-10003**

REF NO.	PART NO.	DESCRIPTION	Q'TY	REMARKS
1	T6-1-10110	Tension Cam	1	
2	T6-1-10120	Cam Shaft End Plate	1	
3	T6-1-10131	Limit Switch Cam (LS2)	1	
4	T6-1-10142	Limit Switch Cam (LS3)	1	
6	KYA070720	Key, 7×7×20	2	
7	T6-1-10171	Gear Box Pulley	1	
8	T6-1-10181	Limit Switch Bracket	1	
9	BR6205ZZ	Bearing, 6205ZZ	2	
10	T6-1-10200	V-Belt (A26)	1	
11	T6-6-10180	Magnet Brake	1	
41	T6-1-11000	Gear Box	1	
42	T6-1-12000	Cam Ass'y	1	SEE PAGE 6
51	HBS0845H	HBS, M8×45 (H)	4	
52	HBS0825	HBS, M8×25	1	

53	HBS0612	HBS, M6×12	2
54	HSS0610G	HSS, M6×10 (G)	6
55	PW08B	PW, M8 (B)	4
56	SW08	SW, M8	5
57	SW06	SW, M6	2

61	SW04	SW, M4	4
62	PMS0408	PMS, M4×8	4

1-2

SLIDE TABLE GROUP

T6-1-20020



SLIDE TABLE GROUP

T6-1-20020

1-2
REF
NO.

PART NO.	DESCRIPTION	QTY	REMARKS
T6-1-20020	Slide Table Group	1	
T6-1-20020S	Slide Table Group (Stainless Steel Model)	1	
1 T6-1-20110	Slide Table Frame	1	
2 T6-1-20120	Slide Table Frame Shaft	1	85
4 T6-1-20141	Slide Table Back Adjuster	1	83
5 T6-1-20150	Slide Table Stopper	1	
6 T6-1-20163	Slide Table	1	SEE PAGE 122 #30 (LS6)
T6-1-20163S	Slide Table (Stainless Steel Model)	1	
7 T6-1-20170	Strap Guide	1	
8 T6-1-20180	Flap Connecting Spring Bracket	1	SEE PAGE 122 #50
9 T6-1-20198	S.F.S. Ass'y	1	SEE PAGE 122 #47
T6-1-20198S	S.F.S. Ass'y (Stainless Steel Model)	1	
10 T6-1-30170	Press Arm End Plate	1	
11 T6-1-20220	Slide Table Spring Hook	1	
12 T6-1-20230	Slide Table Tension Spring	1	
14 BR6304ZZ	Bearing, 6304ZZ	2	
15 T6-1-20250	Cam Follower, KR22×LL	1	
16 ER15	Snap Ring, E-15	2	

17	T6-1-20311	Support	1	
18	T6-1-20323	Lever	1	
19	T6-1-20340	Bracket	1	
20	T6-1-20351	Spring	1	
21	T6-1-20450	Bushing	1	
27	T6-1-20372	Spring	1	
41	T6-1-21000	Strap Guide Arm Ass'y	1	SEE PAGE 10
50	HBS0630	HBS, M6×30	1	
51	HBS1025H	HBS, M10×25 (H)	1	
52	HBS0830	HBS, M8×30	1	
53	HBS0650H	HBS, M6×50 (H)	2	
54	HBS0620N	HBS, M6×20 (N)	4	
	HBS0620S	HBS, M6×20 (Stainless Steel Model)	4	
55	HBS0625	HBS, M6×25	3	
56	HSS0810G	HSS, M8×10 (G)	2	
57	TMS0610	TMS, M6×10	2	
60	PW08A	PW, M8 (A)	1	
61	PW06A	PW, M6 (A)	4	

1-2**SLIDE TABLE GROUP****T6-1-20020**

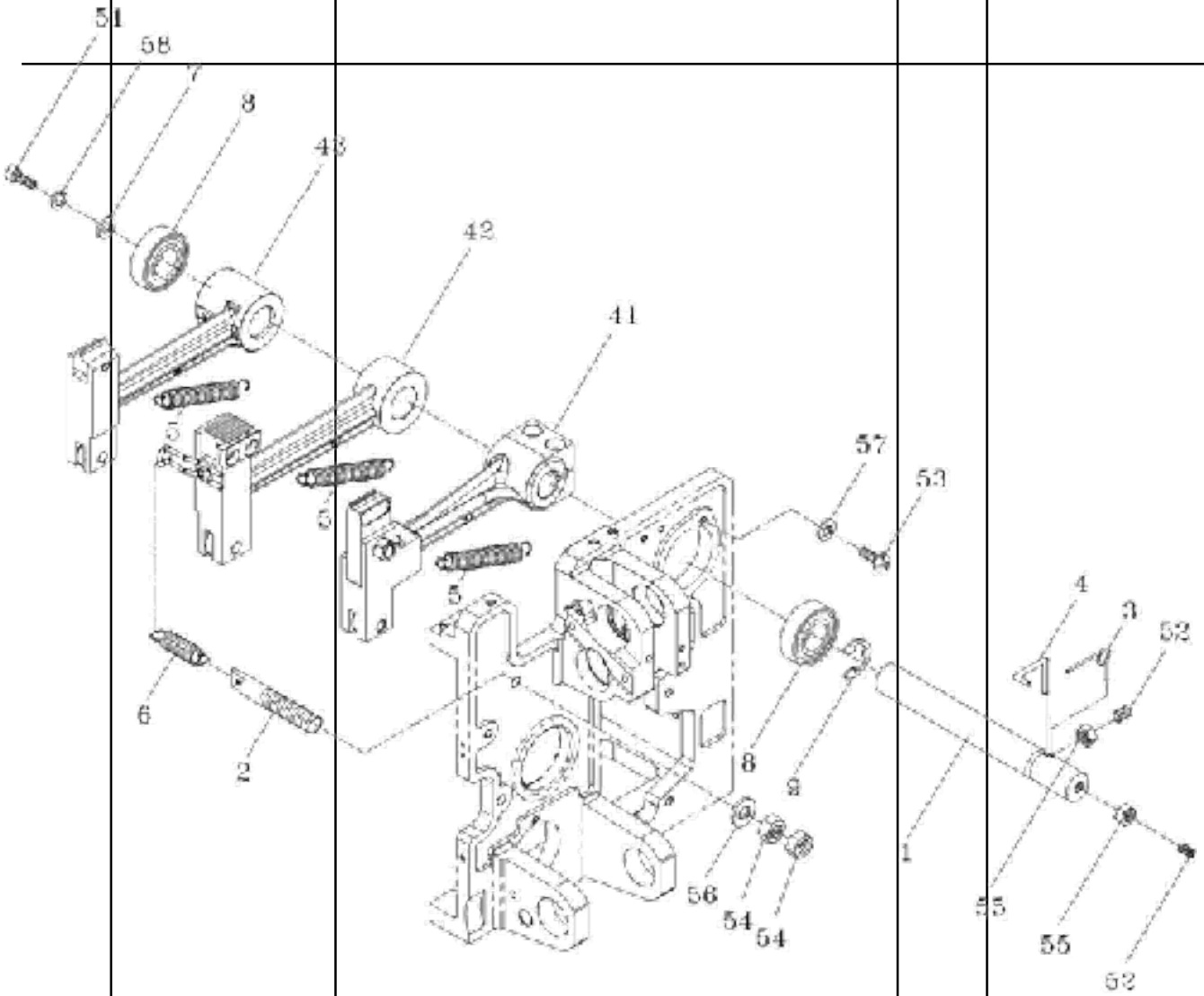
REF. NO.	PART NO.	DESCRIPTION	Q'TY	REMARKS
63	SW06	SW, M6	7	
64	HBS0616	HBS, M6×16	1	
65	HBS0408	HBS, M4×8	6	
66	TMS0412	TMS, M4×12	2	
67	HN08	HN, M8	1	
71	SW04	SW, M4	9	
72	SW04S	SW, M4 (Stainless Steel Model)	1	
74	NTE04	NTE, M4	1	
76	HN06	HN, M6	4	
77	SW03	SW, M3	2	
80	TA-071	Return Spring	1	
81	T6-1-20910	Sensor Plate	1	
82	T6-1-20920	Loop-eject Lever	1	
83	T6-1-20930	Loop-eject Plate	1	
	T6-1-20930S	Loop-eject Plate (Stainless Steel Model)	1	
84	HN03	HN, M3	2	
85	HN04	HN, M4	3	
86	HN04S	HN, M4 (Stainless Steel Model)	1	
87	PMS0416	PMS, M4×16	1	
88	PMS0412	PMS, M4×12	1	

1-3

PRESS GROUP

T6-1-30000

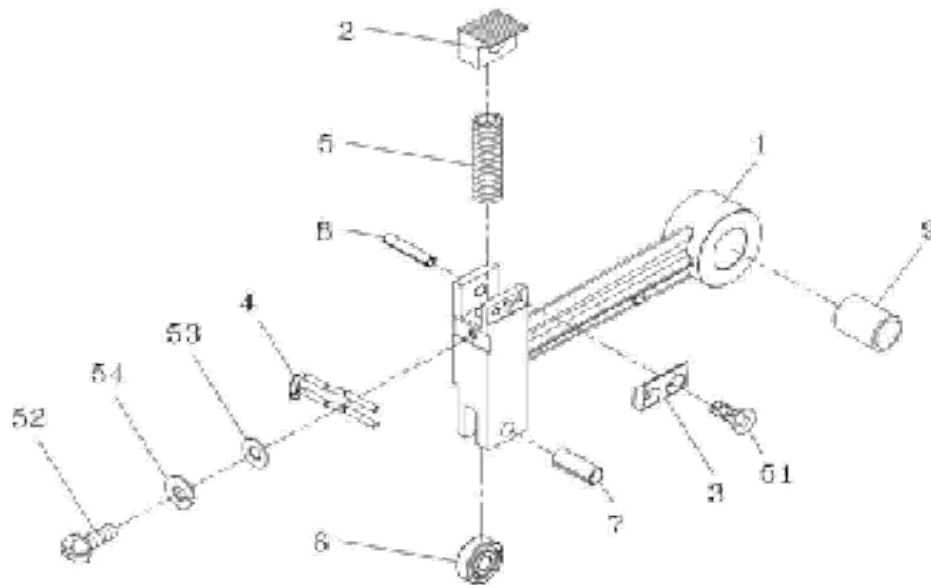
95	FMS0508	FMS, M5×8	2
	FMS0508S	FMS, M5×8 (Stainless Steel Model)	2
96	T6-1-20840	Detector Plate	1
97	T6-2-10130	LH Bandway Stop Spring	1



1-3**PRESS GROUP****T6-1-30000**

REF. NO.	PART NO.	DESCRIPTION	Q'TY	REMARKS
	T6-1-30000	Press Group	1	
	T6-1-30000S	Press Group (Stainless Steel Model)	1	
1	T6-1-30110	Press Arm Shaft	1	
2	T6-1-30120	Cutter Tension Spring Hook	1	
3	T6-1-30130	Upper Roller Spring	1	
4	T6-1-30140	Upper Shaft Spring Adjuster	1	
5	T6-1-30150	Press Tension Spring	3	
6	T6-1-30160	Cutter Tension Spring	1	
7	T6-1-30170	Press Arm End Plate	1	
8	BR6304ZZ	Bearing, 6304ZZ	2	
9	ER15	Snap Ring, E-15	1	
41	T6-1-31000	RH, Block Arm Ass'y	1	SEE PAGE 13
	T6-1-31000S	RH, Block Arm Ass'y (Stainless Steel Model)	1	SEE PAGE 13
42	T6-1-32000	Center Block Arm Ass'y	1	SEE PAGE 14
	T6-1-32000S	Center Block Arm Ass'y (Stainless Steel Model)	1	SEE PAGE 14
43	T6-1-33000	LH, Block Arm Ass'y	1	SEE PAGE 15

51	HBS0620	HBS, M6×20	1
52	HSS0615G	HSS, M6×15 (G)	2
53	TMS0610	TMS, M6×10	2
54	HN08	HN, M8	2
55	HN06	HN, M6	2
56	PW08A	PW, M8 (A)	1
57	PW06B	PW, M6 (B)	2
58	SW06	SW, M6	1



REF. NO.	PART NO.	DESCRIPTION	Q'TY	REMARKS
	T6-1-32000	Center Block Arm Ass'y	1	
	T6-1-32000S	Center Block Arm Ass'y (Stainless Steel Model)	1	
1	T6-1-32110	Center Block Arm	1	
2	T6-1-32120	Universal Press	1	
	T6-1-32120S	Universal Press (Stainless Steel Model)	1	
3	T6-1-32130	Lower Cutter	1	
	T6-1-32130S	Lower Cutter (Stainless Steel Model)	1	
4	T6-1-32140	Cutter Spring Hook	1	
5	T6-1-32150	LH & Center Block Spring	1	
6	BR628ZZ	Bearing, 628ZZ	1	
7	SP0820	Spring Pin, 8x20	1	
8	SP0622	Spring Pin, 6x22	1	
9	MB2025	Metal Bushing, 2025	1	
51	FMS0510S	FMS, M5x10 (SUS)	2	
52	PMS0610	PMS, M6x10	1	
53	PW06A	PW, M6 (A)	1	
54	SW06	SW, M6	1	