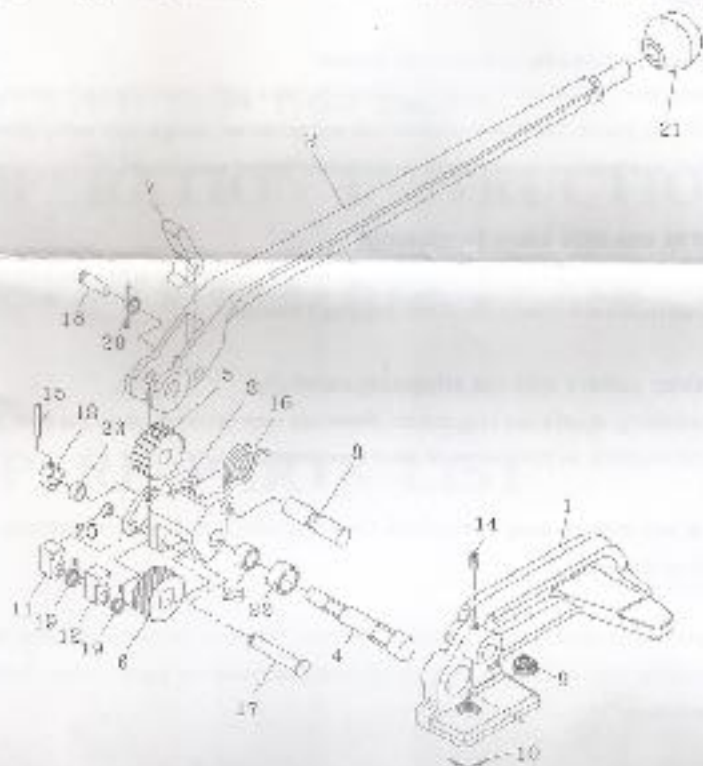


# STEEL STRAPPING TENSIONER

**H-54** (9-19 mm) For Regular Duty Steel Strap

**H-55** (9-19 mm) For Heavy Duty Steel Strap

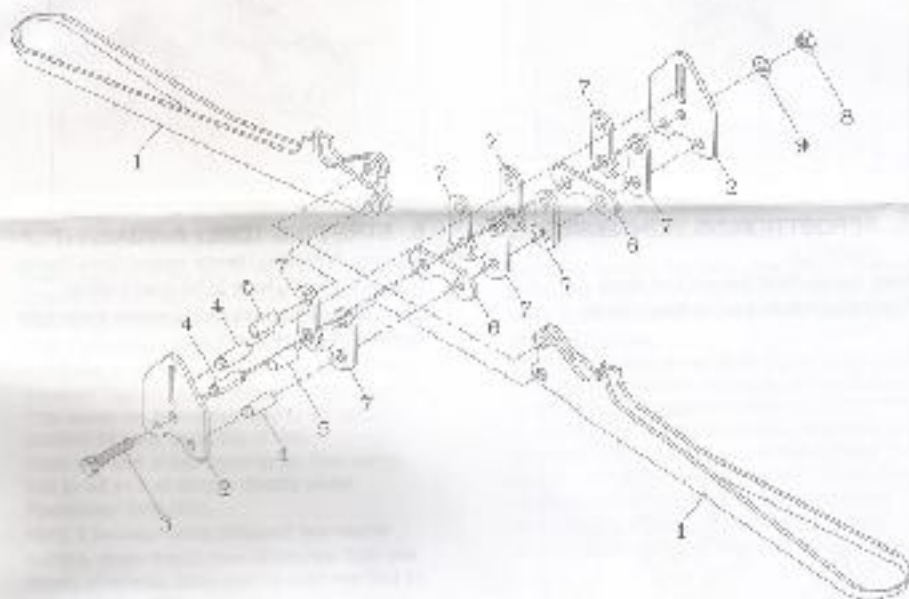


REF. NO.	PART NO.	DESCRIPTION	QTY.	REF. NO.	PART NO.	DESCRIPTION	QTY.
1	H54-001	Base	1	12	H54-012	Long Retaining Pawl	1
2	H54-002	Handle (For H-54)	1	13	H54-013	Collar	1
	H55-002	Handle (For H-55)	1	14	HSS0508G	HSS, M6x8 (G)	1
3	H54-003	Feedwheel Support (For H-54)	1	15	SP2-016	Spring Pin, 2.5x18	1
	H55-003	Feedwheel Support (For H-55)	1	16	H54-016	Support Spring	1
4	H54-004	Feedwheel Shell	1	17	H54-017	Retaining Pawl Pin	1
5	H54-005	Ratchet Gear	1	18	H54-018	Handle Pawl Pin	1
6	H54-006	Feedwheel	1	19	H54-019	Retaining Pawl Spring	2
7	H54-007	Handle Pawl	1	20	H54-020	Spring	1
8	H54-008	Support Pin	1	21	H54-021	Knob	1
9	H54-009	Clutch Plug	1	22	H55-022	Bush (For H-55)	1
10	H54-010	Plug Lock Wire	1	23	H55-023	Bush (For H-55)	1
11	H54-011	Short Retaining Pawl	1	24	H55-024	Bush (For H-55)	1
				25	ER06	Snap Ring, E-6	1

\* PLEASE ORDER PARTS BY PARTS NO., DESCRIPTION AND QTY.

# STEEL STRAPPING SEALER

**H-65** ( 9mm, 12mm, 16mm, 19mm )



STRAP WIDTH			
9mm (3/8")	12mm (1/2")	16mm (5/8")	19mm (3/4")

REF. NO.	PART NO.	DESCRIPTION	Q'TY	REF. NO.	PART NO.	DESCRIPTION	Q'TY
1	H65-1201	Handle	2	6	H88-0908	Anvil (For 9mm)	2
2	H65-1202	Side Plate (For 9mm, 12mm)	2		H85-1206	Anvil (For 12mm)	2
	H65-1802	Side Plate (For 16mm, 19mm)	2		H85-1606	Anvil (For 16mm)	2
3	HB06325H	HB, M8x35 (H)	1	7	H65-1207	Jaw (For 9mm, 12mm)	8
4	H65-1204	Pivot Pin	3		H65-1907	Jaw (For 16mm, 19mm)	8
5	H65-1205	Handle Pin	2	8	NTE06	NTE, M8	1
				9	S/W03	S/W, M8	1

\* PLEASE ORDER PARTS BY PARTS NO., DESCRIPTION AND QTY.